

NLC-OP1-LCD-032-4X20

Order No.: 2701137



<http://eshop.phoenixcontact.de/phoenix/treeViewClick.do?UID=2701137>

User interface for nanoLine controllers. Mounts directly on the base unit. Can be mounted remotely using the mounting kit.

Commercial data	
EAN	4046356325288
Pack	1 pcs.
Customs tariff	85371099
Weight/Piece	0.1318 KG
Catalog page information	Page 262 (NTK-2008)

Product notes

WEEE/RoHS-compliant since: 07/15/2008



<http://www.download.phoenixcontact.com>
Please note that the data given here has been taken from the online catalog. For comprehensive information and data, please refer to the user documentation. The General Terms and Conditions of Use apply to Internet downloads.

Product description

User interface for nanoLine controllers. 8-line, 21-character backlit display provides operation and setup information to the user. Numeric and directional buttons allow entry and selection of data into the controller. Can be mounted directly on the base unit, mounted remotely using the optional mounting kit, or used as a service tool.

Technical data

Interfaces

Interface	Operator Panel
-----------	----------------

Type of connection	RJ45
Transmission length	Max. 92 cm

Supply

Connection supply	RJ45
Supply voltage	(Power available via base unit)
Max. current consumption	50 mA
Typical current consumption	32 mA

Software interfaces

Programming tool	nanoNavigator
------------------	---------------

Display

Display	Backlit LC display, monochrome, 8 lines with 21 characters, 128 x 64 pixels, display area 66 x 34 mm
Monitor resolution	128 x 64 pixels
Display area	66 mm 34 mm
Keys	11

General data

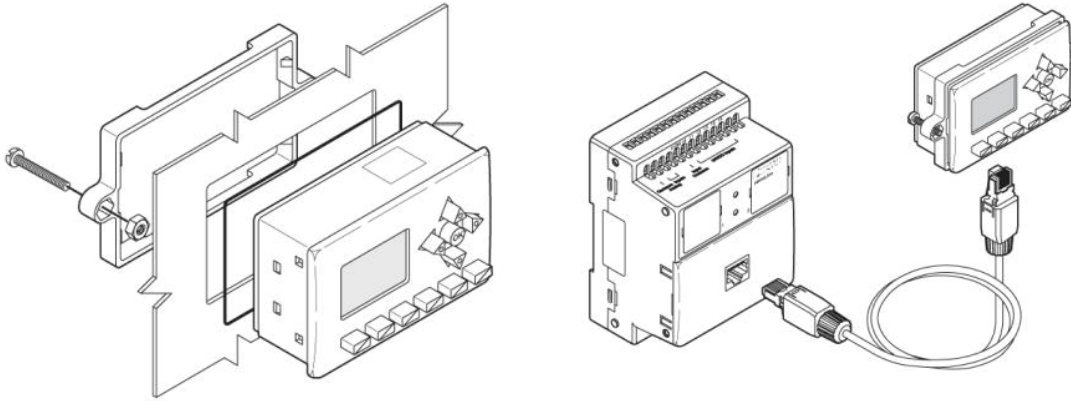
Width	76 mm
Height	31.5 mm
Depth	46 mm
Mounting type	In base unit or with remote mounting kit
Degree of protection	IP67/IP20
Ambient temperature (operation)	0 °C ... 50 °C
Ambient temperature (storage/transport)	0 °C ... 60 °C

Accessories

Item	Designation	Description
General		
2701276	NLC-OP1-COVER	Replacement cover for base unit
2701140	NLC-OP1-MKT	Mounting kit

Drawings

Schematic diagram



Address

PHOENIX CONTACT Inc., USA
586 Fulling Mill Road
Middletown, PA 17057, USA
Phone (800) 888-7388
Fax (717) 944-1625
<http://www.phoenixcon.com>



© 2009 Phoenix Contact
Technical modifications reserved;